

Compact Precision Balances

EJ Series

1 mg



EJ-123

120 g × 0.001 g (1 mg)



EJ-303

310 g × 0.001 g (1 mg)

“A newly developed load cell realizes extremely cost-effective precision balances, enabling smooth, stable milligram measurements for a capacity up to 310 g.”

Recommended Especially for Use in Primary, Secondary and Tertiary Education!

Continued overleaf...



AND ...Clearly a Better Value
A&D Company, Limited
<http://www.aandd.jp>

Features

- ✓ Breeze break with anti-static coating to ensure high precision and stability
- ✓ Adjustable response characteristics depending on the degree of drafts and vibrations at the location
- ✓ Hygienic and chemically resistant stainless steel (SUS304) weighing pan
- ✓ Operation with either AC adapter or four AA batteries
- ✓ Security slot in the rear of the balance to accommodate an anti-theft lock
- ✓ Easy-to-read LCD display with backlight (16 mm character height)
- ✓ Multiple weighing units: g, oz, ozt, ct, dwt, gr, N, in addition to pcs (counting mode) and % (percent mode)
- ✓ Display hold, accumulation (M+), auto power OFF functions
- ✓ Automatic density calculation using the optional density determination kit (EJ-13)



EJ-13



Specifications

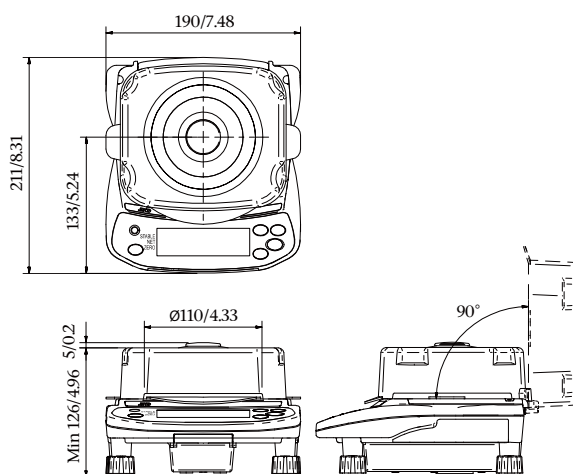
	EJ-123	EJ-303
Weighing capacity	120 g	310 g
Minimum weighing value	0.001 g	
Repeatability (standard deviation)	0.003 g	
Linearity	±0.003 g	
Sensitivity drift	±20 ppm/°C (10 to 30°C/50 to 86°F)	
Counting mode	Min. unit weight* 0.001 g	
	No. of samples 5, 10, 25, 50 or 100 pieces	
Percent mode	Min. % display 0.01%	
	Min. 100% weight 0.1 g	
Operating temperature	10 to 30°C/50 to 86°F, 85% RH or less (no condensation)	
Battery life	Approx. 80 hours (with alkaline batteries, backlight off)	
Weighing pan size	Ø110 mm	
Net weight	Approx. 1160 g	
Calibration weight	100 g	300 g
Standard accessories	Breeze break, AC adapter, Instruction manual	

* Factory setting

Options

- EJ-02 Quick USB interface
- EJ-03 RS-232C interface
- EJ-13 Density determination kit

Dimensions (mm/inches)



A&D Company, Limited

3-23-14 Higashi-Ikebukuro, Toshima-ku, Tokyo 170-0013 JAPAN
Telephone: [81](3) 5391-6132 Fax: [81](3) 5391-6148
http://www.aandd.jp

A&D ENGINEERING, INC.

1756 Automation Parkway, San Jose, CA 95131 U.S.A.
Telephone: [1](408) 263-5333 Fax: [1](408) 263-0119

A&D Australasia Pty Ltd.

32 Dew Street, Thebarton, South Australia 5031 AUSTRALIA
Telephone: [61](8) 8301-8100 Fax: [61](8) 8352-7409

A&D INSTRUMENTS LTD.

Unit 24/26 Blacklands Way Abingdon Business Park,
Abingdon, Oxon OX14 1DY UNITED KINGDOM
Telephone: [44](1235) 550420 Fax: [44](1235) 550485

<German Sales Office>

Hamburger Straße 30 D-22926 Ahrensburg GERMANY
Telephone: [49](0) 4102 459230 Fax: [49](0) 4102 459231

A&D KOREA Limited

Manhattan Bldg. 8F, 36-2 Yoido-dong, Youngdeungpo-gu, Seoul, KOREA
Telephone: [82](2) 780-4101 Fax: [82](2) 782-4280

A&D RUS CO., LTD.

Vereyskaya str. 17, Moscow, 121357 RUSSIA
Telephone: [7] (495) 937-33-44 Fax: [7] (495) 937-55-66

A&D Instruments India Private Limited

509 Udyog Vihar Phase V
Gurgaon-122 016, Haryana, INDIA
Telephone: [91](124) 471-5555 Fax: [91](124) 471-5599